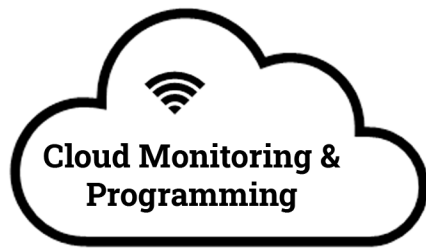




ONE INVERTER TO RULE THEM ALL™



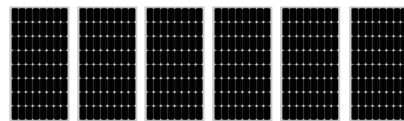
Cloud Monitoring & Programming

Modes:

Grid Sell, Off-Grid, Meter Zero, Time of Use, & Peak Shaving

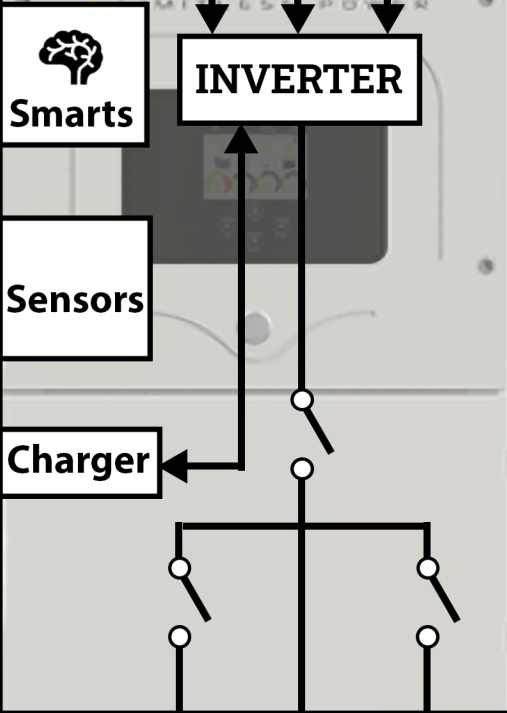
RSD/Emergency Stop, External CT Sensors, Parallel Comms/Battery Comms, Auto Gen Start

Battery Agnostic
48V Nominal & at least 50Ah



19.5kW DC Coupling
125V-425V @ 26A per MPPT

MPPT 1 MPPT 2 MPPT 3



5ms UPS
No-Glitch Transfer

Smarts

Sensors

Charger

Smart Load
Prioritize Necessities & Run Luxuries With Less

Gen Breaker
Up to 19.2kW Generator Input

Grid or Generator
200A Passthrough

Continuous Power
15kW With PV
12kW With Batt.

AC Coupling
19.2kW Input



15K[®]



Highest Rated Reviews On Energy Sage



Install Simplicity

You don't have to piece together multiple parts to get basic functions. Ours does it all, does it better, and does it with simplicity.

7 Day/Week Engineering & Customer Support

Sol-Ark beats all competition at customer support. Our engineers assist with all questions, diagnoses, and remote unit management.

We solve virtually any problem without a site visit.



Mobile & Desktop

Monitoring Available Via Powerview

	Rating	Reviews
Sol-Ark	★★★★★	204
Sunpower	★★★★☆	379
Tesla	★★★★☆	464
Enphase	★★★☆☆	32
SolarEdge	★★★★☆	64
SMA	★★★★☆	6
Outback	★★★★☆	2
Hanwha / Q Cells	★★★★☆	1
Generac/Pika	★★★★☆	1
Solis/Ginlong	★★★★☆	4
Sonnen	★★★★☆	4
Panasonic Inv/Electriq	★★★★☆	6
Fronius	★★★★☆	2
Magnum	★★★★☆	5
Renogy	★★★☆☆	4
Schneider	★★★★☆	1
ABB / Fimer	★★★☆☆	0

	Sol-Ark 15K	Tesla PowerWall2 x 2	Generac PWRcell	LG / SolarEdge EnergyHub	Enphase Encharge 10
Low Install Cost & Simplicity!	entire home transfer switch, All-In-One Hybrid, 14chx100A load mgmt*	entire home transfer switch, no load mgmt	entire home transfer switch, All-In-One Hybrid, 8ch load mgmt	entire home transfer switch, no load mgmt	entire home transfer switch, small load mgmt
Peak Current (Off Grid) higher power = fewer support calls	125A	60A	50A	30A	24.6A
Continuous PV to AC Power (daytime)	15kW	15.2kW	7.6kW	7.6kW	10-15kW
Continuous Batt Power (nighttime)	12kW	10kW	7.6kW	5kW	3.84kW
Load Mgmt works on Grid for TOU	Yes	None	No	None	Unknown
Hardware Reliability	20+ year design life, electronics isolated from environment	20+ year design life, electronics isolated from dust & humidity	10yr life electronics exposed to humidity & dust or clogged filter	20+ year design life, electronics isolated from environment	20+ year design life, electronics isolated from environment
Charging Battery from Generator	Yes	No	No	No	No
PV to Batt to AC Efficiency	93%	87%	85%	82%	87%
Customer Satisfaction Rating / Reviews	5.0 x 130	4.0 x 363	5.0 x 1	2.5 x 26	3.5 x 26